



BALL-FENCE plus MENNI

Menni is a set of super tough injection moulded modules that plug together like giant Lego™ in any combination.

Applications include protecting physical assets by preventing vehicles from coming into contact with them. Alternatively, when used with Ball-fence, Menni prevents the encroachment of forklifts and other vehicles into pedestrian zones, while protecting the Ball-fence.

Menni is designed and developed in Australia from high tech Linear Low Density Polyethylene (LLDPE) with solid hi-vis safety yellow colour. The super tough impact absorbing modules won't fade, rot, rust or crack and have built-in reflectors for low light environments.

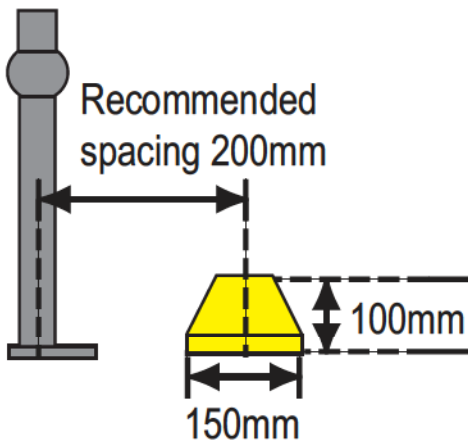
See page 41 for installation procedure.

Value features:

- » Designed to comply with AS1657:1992 for walkways.
- » Solid colour, U.V. stabilised.
- » Supplied with all fixings and connectors.
- » Slip resistant feature moulded into top surface.
- » Modular components allows modification or replacement at any time.
- » Total flexibility with endless applications.

Specifications

Description:	Menni modular asset protection system.
Material:	Injection moulded Linear Low Density Polyethylene (LLDPE).
Finish:	Solid colour – Hi-vis safety yellow.
Dimensions:	H100 x W150mm x L540mm (see Section 9 for full details)
Weight:	Approx. 4kgs per metre.
No. of fixings:	2 per module (supplied).
Connector / plugs:	3 per module (supplied).



! MORE INFORMATION ON MENNI
See Page 20.

PART No.	DESCRIPTION
BME-Y	Menni end module – Yellow
BMB-Y	Menni body module – Yellow
BMT-Y	Menni T-intersection module – Yellow
BMC-Y	Menni 90 degree corner module – Yellow
BMR	Optional top reflector plugs



Asset and pedestrian protection.



Menni end module.



Menni body module.



Menni 'T' module.



Menni corner module.