

DOCK-SAFE-Q

Dock-Safe-Q is a light weight rapid deployment temporary safety barrier system to prevent people tripping or falling from elevated loading docks.

Dock-Safe-Q is comprised of two parts (ordered separately).

The Dock-Safe receiver is a moulded rubber block that is mounted directly to the face of the loading dock.

This receiver also acts as a heavy duty dock bumper.

The Dock-Safe-Q panel then simply drops into sockets in the receiver. Panels can be quickly removed and replaced if required for vehicle access.

Panels can be used without rubber receiver blocks.

Simply core drill 50mm diameter holes into the floor to receive panel posts. The panels can then be quickly placed and removed as required.



Dock-Safe temporary edge protection.

Value features:

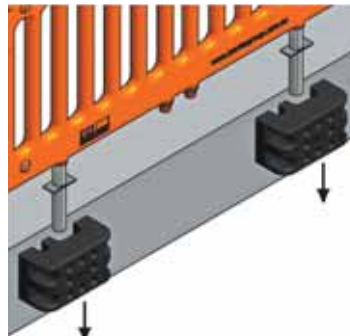
- » Place and remove panels quickly without tools.
- » One metre high lightweight panels in hi-vis orange.
- » Removed panels stack flat.
- » Moulded from super tough polyethylene.
- » Receivers double as heavy duty dock bumpers.
- » Prevents unauthorised entry through dock area.



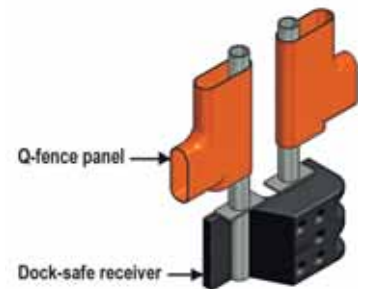
Dock-Safe with independent receiver blocks.

Specifications:

Description:	Rapid deployment loading dock barrier.
Material:	Panel – Blow moulded polyethylene. Receivers – Moulded rubber.
Finish:	Panel – Solid colour safety orange.
Height:	Floor to top of panel 1000mm.
Panel length:	2130mm.
Weight:	Panel with 2 posts – 14kgs approx. (including posts). Receiver – 12kgs each.
Fixings:	Supplied with Dock-safe receiver.

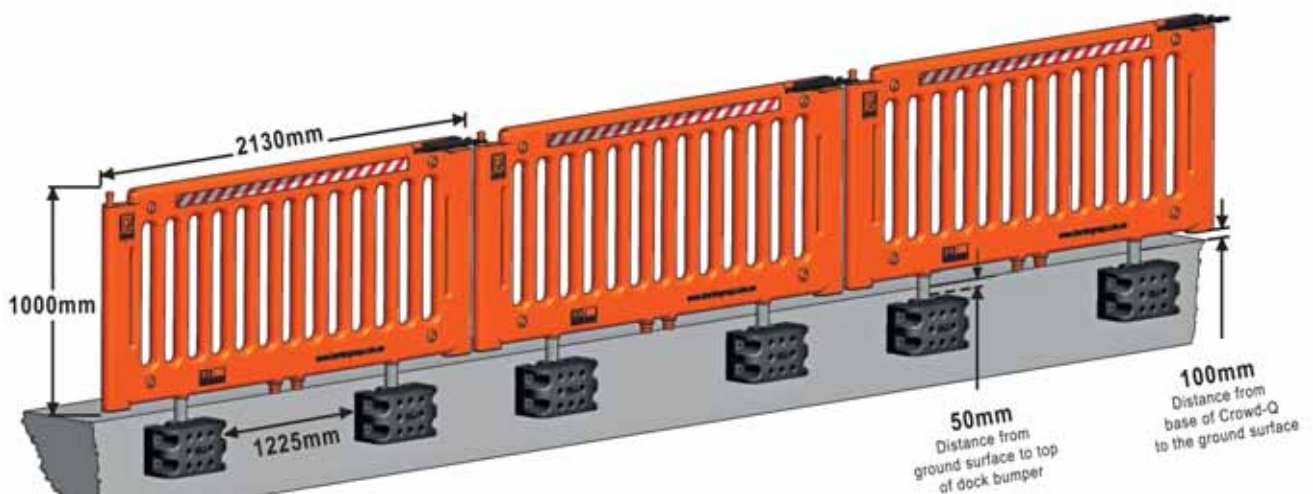


Installing panel with receiver.



For dimensions of receiver see page 27.

PART No.	DESCRIPTION
DSQ2130	Dock-Safe-Q panel with posts 900 x 2130mm
DSR1	Dock-Safe receiver with fixings (order separately)



Note: Panels and rubber receivers are sold separately.

LEGEND



PROPRIETARY DESIGN

This product has been fully designed and developed by Barrier Group. It is a proprietary product of Barrier Group Pty. Ltd. and protected by copyright.



FREE END OF LIFE RECYCLING

Return this product to Barrier Group for free recycling rather than dumping into landfill.



NEW AND UNIQUE

This is a new and unique product. It has either been designed, developed and manufactured by the Barrier Group Pty. Ltd. or it is being seen here for the first time.



100% RECYCLABLE

This product is manufactured from virgin grade raw materials and is 100% recyclable using existing, readily available recycling technology and services.



RECYCLED MATERIALS

This product has been manufactured from either a combination of recycled materials and virgin grade materials or entirely from recycled materials.



HOT DIP GALVANISED

This product has been hot dip galvanised prior to any surface coatings being applied. Hot dip galvanised offers vastly improved corrosion protection and extended life in harsh environments.



FIXINGS INCLUDED

This product comes complete with all the necessary fixings to complete the standard installation. When comparing competitors prices against our own, always ensure they have included the fixings with the product (excludes gravel spikes).

WARNING

© Barrier Group Pty. Ltd. takes the protection of its intellectual property (IP) seriously and will not hesitate to pursue legal action against any individual, group or organization attempting to steal, copy or duplicate any of its proprietary designs OR anyone who imports, sells or distributes illegal copies or duplicates of its proprietary designs.

IT'S AGAINST THE LAW – AVOID THE PAIN!