



## VEHICLE BUMPERS – Menni

When used as vehicle bumpers Menni modules offer a high level of impact protection to physical assets. Injection moulded from super tough and durable Linear Low Density Polyethylene (LLDPE) with recessed fixing points.

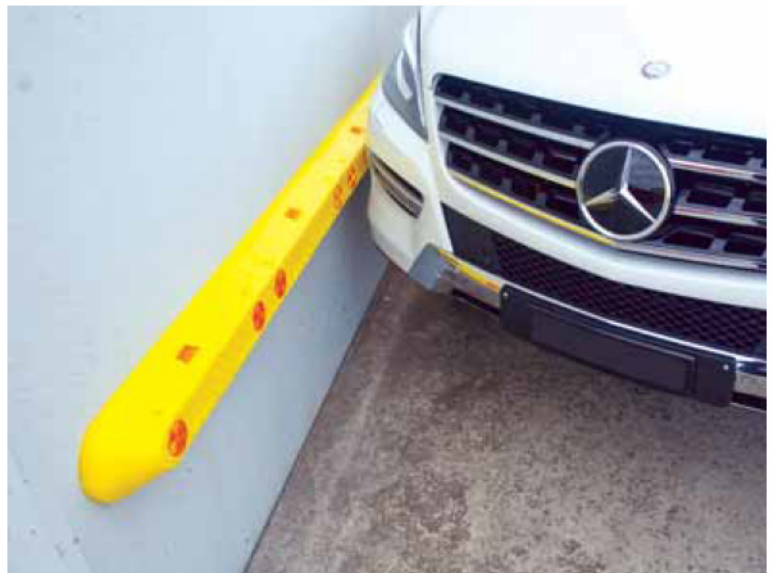
Plug multiple modules together to make the bumper any length you need. Each end or body modules comes complete with fixings and connectors. With high visibility U.V. stabilised safety yellow, solid colour, they won't fade, and are resistant to chemicals, oils etc. Quick and simple to install.

**! MORE INFORMATION ON MENNI**  
See page 20.

### Value features:

- » Handy 550mm long modules in two styles.
- » Moulded from super tough polyethylene.
- » Deeply recessed fixing points protected from impact.
- » Hi-vis safety yellow with solid colour.
- » Fixings included:
  - 2 x masonry fixings, 2 x 50mm diameter washers,
  - 2 x blanking plugs, 1 x connector plug.

PART No.	DESCRIPTION
BME-Y	Menni end module – Yellow
BMB-Y	Menni body module – Yellow
BMR	Optional top reflector plugs



Menni vehicle bumper (shown here with optional reflector caps).



Menni body module.



Menni end module.



## DOCKING BUMPERS – Dock-safe

Dock-safe receiver blocks form part of our unique Dock-safe barrier system (see page 50).

When used in isolation the blocks robust construction make them ideal dock bumpers.

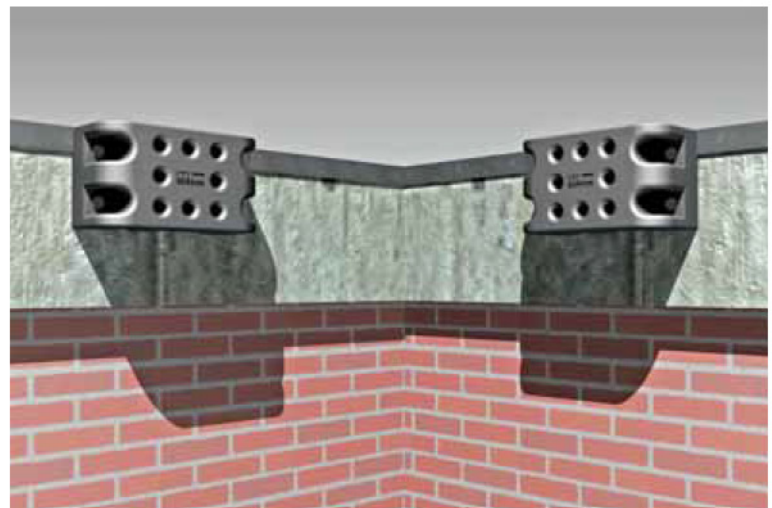
Manufactured from high quality rubber, they incorporate recessed mounting points for M12 fixings (not included) and have the ability to crush and rebound on impact.

### ! HANDY HINT

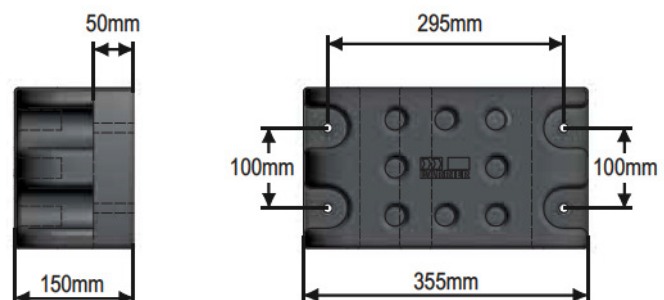
Position Dock-safe receivers so you can add drop-in Dock-safe panels at a later date if desired (see page 50.)

### Value features:

- » Part of the unique Dock-safe barrier system (see page 50).
- » Solid rubber construction with built-in compression feature.
- » Protected and recessed fixing points.
- » High quality rubber compound.



Dock-safe receiver blocks form part of our unique Dock-safe barrier system.



PART No.	DESCRIPTION
DSR1	Dock-safe receiver 355mm long x 150mm high (12kgs)