

OTHER MODELS

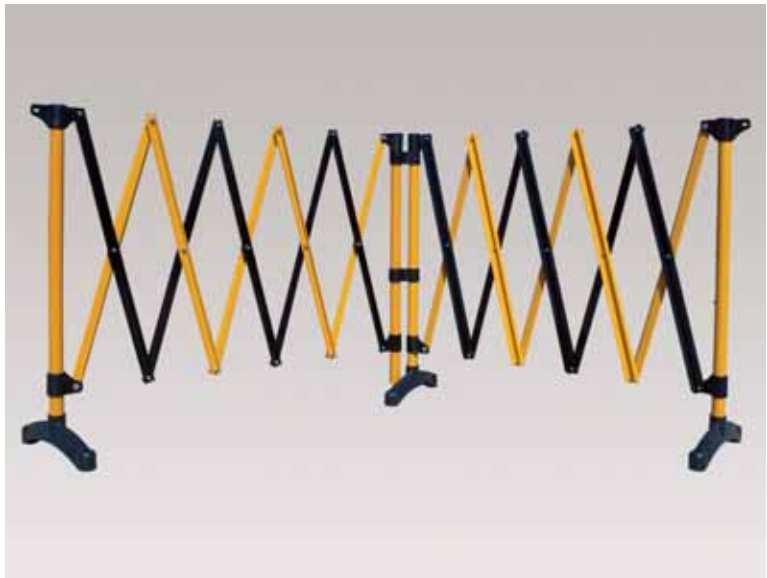
BPG2 Port-a-guard Flexi

The Port-a-guard Flexi is unlike any other product on the market. Apart from its ability to expand out to 5.4 metres, it also pivots at the middle through a full 270 degrees and can step up to 300mm for changing floor levels.

A full range of spare parts and accessories is readily available for all Port-a-guard models.

Finished in red/white or black/yellow powder coat.

Weight 9.2kgs. Width when closed 300mm. Width when fully extended 2 x 2700mm.



BPG2BY shown.

PART No.	DESCRIPTION
BPG2RW	Port-a-guard flexi expanding barrier 2 x 2.7 metre – Red/White
BPG2BY	Port-a-guard flexi expanding barrier 2 x 2.7 metre – Black/Yellow

BPG6 Port-a-guard Utility

Consisting of three sides – each capable of expanding out to 2.6m – the Port-a-guard Utility has been designed for cordoning off small spaces.

This Port-a-guard is manufactured from non-corrosive powder coated aluminium, and is compact and easily carried by one person.

Spare parts and accessories are readily available for all Port-a-guard models.

Finished in red/white or black/yellow powder coat.

Weight 17kgs. Width when closed 360mm. Width when fully extended 3 x 2600mm.



BPG6RW shown.

PART No.	DESCRIPTION
BPG6RW	Port-a-guard utility expanding barrier 3 x 2.6 metre – Red/White
BPG6BY	Port-a-guard utility expanding barrier 3 x 2.6 metre – Black/Yellow

BPGL8BY Port-a-guard Light

The Port-a-guard Light is a portable, expanding crowd control barrier. Compact and lightweight, the BPGL8BY is suitable for both indoor and outdoor use, and the built-in handle and locking strap simplifies handling and portability.

The plastic slats and legs are corrosion resistant, durable and lightweight. However, if extra stability is required – for example in windy conditions – the legs can be filled with water, adding weight.

This Port-a-guard is truly a versatile and portable solution to your pedestrian traffic control problems.

Finished in black/yellow plastic. Weight 3kgs.

Closed 250mm. Open 2400mm at 970mm high.



BPGL8BY shown.

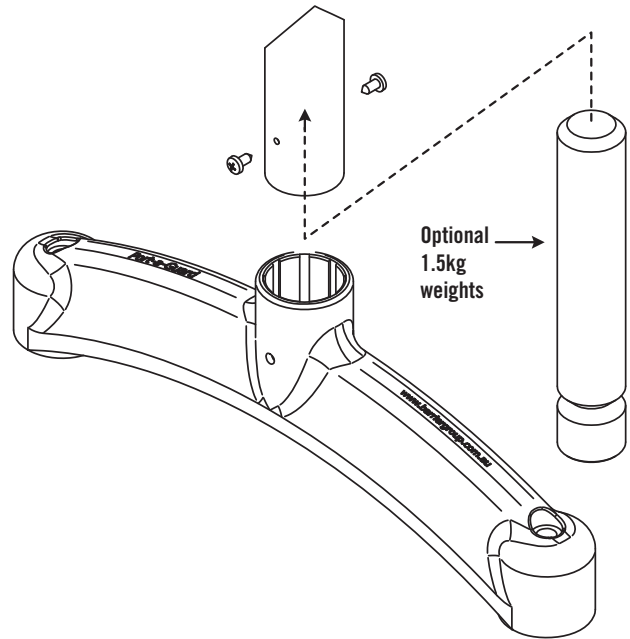
PART No.	DESCRIPTION
BPGL8BY	Port-a-guard light expanding barrier 2.4 metre – Black/Yellow

PORT-A-GUARD ACCESSORIES



Locking Castors

Port-a-guard locking castors quickly and cost effectively convert your new or existing Port-a-guard, making it much easier to move about. Locking castors are sold individually. No special tools or modifications are necessary; simply attach the castors with the fixings provided. Two models available: BPG-LC for fixing to plastic feet and BPG-LPC for fixing to single posts.



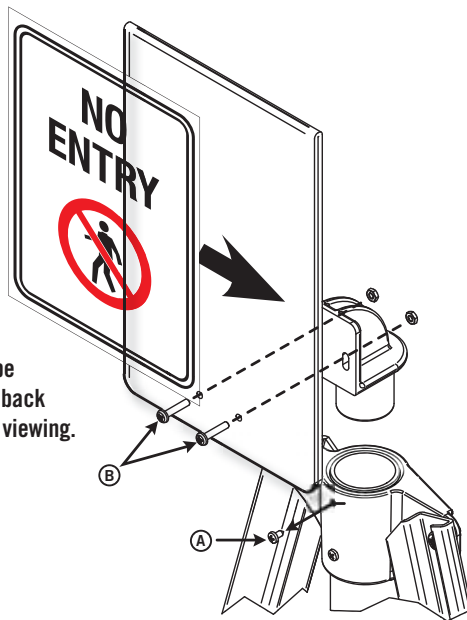
Post Weights

BPG93

Our optional base weights add 1.5kgs per post and are ideal for high-wind areas. Weights are sold individually.

To install, simply remove the foot from the post, insert the weight into the post and re-fit the foot. Weights are held in position by the foot retaining screws.

Mild steel with a zinc plated finish.



Note: Signs can be inserted back to back for double-sided viewing.

Sign Pockets

BPG-A5SH / BPG-A4SH

Our new acrylic sign pockets forever eliminate the need to purchase expensive signs. Available to suit either A4 or A5 paper sizes, they are attached to the Port-a-guard using the bracket supplied with both BPG300 and BPG600 models.

Additional sign brackets can be purchased. Simply make your own signs or visit www.barsec.com.au for a range of free sign faces to download and print on any office printer.



Mounting Posts

BPG29SM

A freestanding post for installation of fixed Port-a-guards where there is not a wall or structure to mount off. Simply mount your Port-a-guard using the brackets supplied. The post is a steel structure with a base flange. It has a black powder coated finish. If mounting into a new concrete footing, use with BGK4 in-ground kit.

LEGEND



PROPRIETARY DESIGN

This product has been fully designed and developed by Barrier Group. It is a proprietary product of Barrier Group Pty. Ltd. and protected by copyright.



FREE END OF LIFE RECYCLING

Return this product to Barrier Group for free recycling rather than dumping into landfill.



NEW AND UNIQUE

This is a new and unique product. It has either been designed, developed and manufactured by the Barrier Group Pty. Ltd. or it is being seen here for the first time.



100% RECYCLABLE

This product is manufactured from virgin grade raw materials and is 100% recyclable using existing, readily available recycling technology and services.



RECYCLED MATERIALS

This product has been manufactured from either a combination of recycled materials and virgin grade materials or entirely from recycled materials.



HOT DIP GALVANISED

This product has been hot dip galvanised prior to any surface coatings being applied. Hot dip galvanised offers vastly improved corrosion protection and extended life in harsh environments.



FIXINGS INCLUDED

This product comes complete with all the necessary fixings to complete the standard installation. When comparing competitors prices against our own, always ensure they have included the fixings with the product (excludes gravel spikes).

WARNING

© Barrier Group Pty. Ltd. takes the protection of its intellectual property (IP) seriously and will not hesitate to pursue legal action against any individual, group or organization attempting to steal, copy or duplicate any of its proprietary designs OR anyone who imports, sells or distributes illegal copies or duplicates of its proprietary designs.

IT'S AGAINST THE LAW – AVOID THE PAIN!