



POST-Q – Fence system

Post-Q is a modular pedestrian separation fence system that can absorb minor impacts, is non-conductive, corrosion and abrasion resistant and can be used indoors and outdoors.

Using the galvanised steel posts provided, Post-Q is simple to install with a high level of design flexibility. Strong galvanised posts and moulded polyethylene panels with solid colour, ensure an extremely durable fence system. Post-Q is highly visible, won't fade, rot, rust or crack and is almost completely maintenance free.

Value features:

- » Strong, flexible, lightweight and highly visible.
- » Ease of installation with design flexibility.
- » Solid moulded colour.
- » Virtually maintenance free.
- » Maximum panel opening 80mm (child safe).
- » Panels can be cut down as required.

Specifications:

Description:	Modular post-mounted pedestrian separation fence.
Material:	Post-Q – Blow moulded polyethylene. Posts – Surface mount galvanised steel 875mm long.
Finish:	Post-Q – Solid colour safety orange. Posts – Hot dip galvanised.
Height:	Floor to top of panel 1000mm.
Weight:	Panel (including posts) – 14kgs approx.
Fixings:	Supplied with masonry anchors 16 x 65mm.
Galvanised Posts:	The internal posts used in Post-Q are manufactured from 48.3mm diameter hot dip galvanised steel with a welded base plate for surface mounting. Post mounting leaves the Q-Panels elevated above the floor for ease of cleaning.



Post-Q – fixed posts with flexible panels.



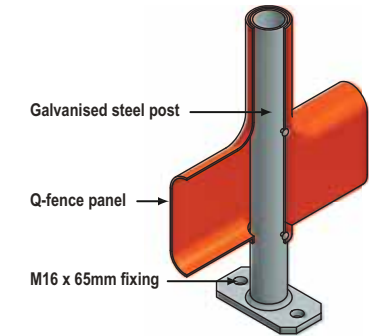
Sliding panel connector for uneven ground.



Galvanised mounting posts.

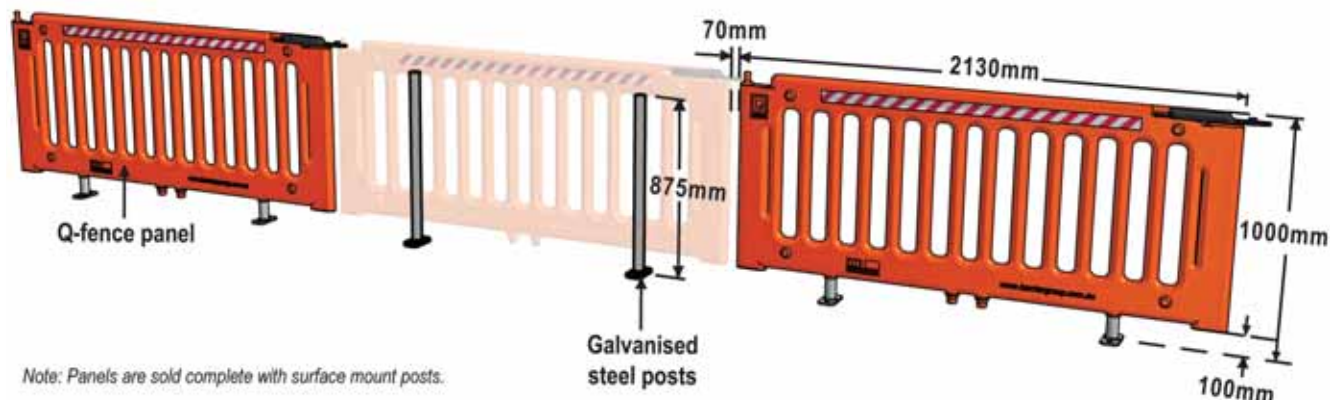


Recessed reflective panels.



Cross-section.

PART No.	DESCRIPTION
PQ2130	Post-Q fence panel with 2 galvanised posts
QFP-SM	Additional Q-fence posts with fixings



LEGEND



PROPRIETARY DESIGN

This product has been fully designed and developed by Barrier Group. It is a proprietary product of Barrier Group Pty. Ltd. and protected by copyright.



FREE END OF LIFE RECYCLING

Return this product to Barrier Group for free recycling rather than dumping into landfill.



NEW AND UNIQUE

This is a new and unique product. It has either been designed, developed and manufactured by the Barrier Group Pty. Ltd. or it is being seen here for the first time.



100% RECYCLABLE

This product is manufactured from virgin grade raw materials and is 100% recyclable using existing, readily available recycling technology and services.



RECYCLED MATERIALS

This product has been manufactured from either a combination of recycled materials and virgin grade materials or entirely from recycled materials.



HOT DIP GALVANISED

This product has been hot dip galvanised prior to any surface coatings being applied. Hot dip galvanised offers vastly improved corrosion protection and extended life in harsh environments.



FIXINGS INCLUDED

This product comes complete with all the necessary fixings to complete the standard installation. When comparing competitors prices against our own, always ensure they have included the fixings with the product (excludes gravel spikes).

WARNING

© Barrier Group Pty. Ltd. takes the protection of its intellectual property (IP) seriously and will not hesitate to pursue legal action against any individual, group or organization attempting to steal, copy or duplicate any of its proprietary designs OR anyone who imports, sells or distributes illegal copies or duplicates of its proprietary designs.

IT'S AGAINST THE LAW – AVOID THE PAIN!