

## SHOCK ABSORBING GUARD RAIL

The Shock Absorbing Guard Rail (SAGR) has the ability to shift sideways if hit at or near ground level.

If the impact is higher up, it can tilt up to 8 degrees at which point it locks up offering maximum protection.

SAGRs are designed to be used anywhere vehicles are manoeuvring at low speeds, such as carparks and warehouses etc.

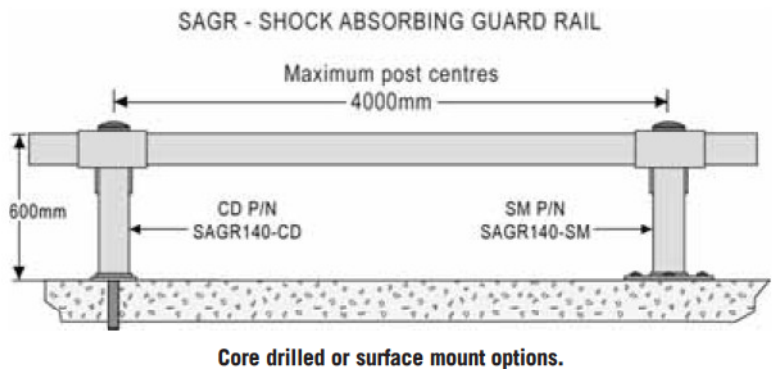
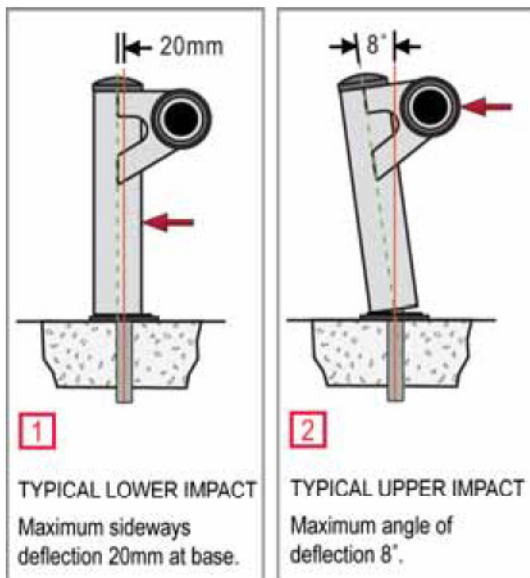
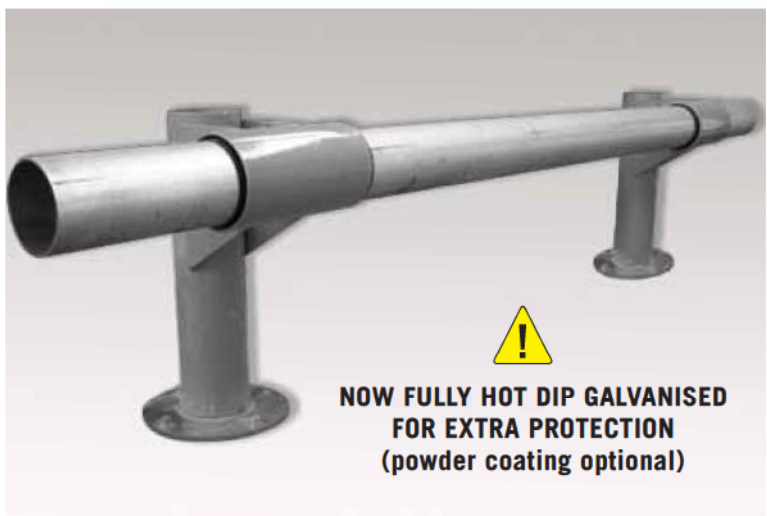
The self centering design means the SAGRs can take repeated low speed impacts without incurring permanent damage. They simply absorb the impact and return to their original position without damaging floors, as with rigid barriers.

These unique characteristics result from the combination of clever engineering and the use of high tech composite materials. SAGR posts are available in 140mm diameter in either core drilled in-ground or surface mounted models. Rails are 140mm diameter and available in lengths up to 6.0 metres.

**Note: Not recommended for high speed traffic environments.**

### Value features:

- » Heavy 140mm diameter galvanised steel rails and posts.
- » Eliminates damage caused by low speed impacts.
- » Moves in 2 directions simultaneously to absorb impact.
- » Suitable for indoor or outdoor use.
- » Ideal for carparks and warehouses etc.
- » Can take repeated impacts without sustaining damage.
- » Absorbs the impact and returns to its original position.
- » Available in core drilled or surface mount models.



PART No.	DESCRIPTION
SAGR140-CD	Shock Absorbing Guard Rail Core Drilled Post
SAGR140-SM	Shock Absorbing Guard Rail Surface Mount Post
SAGR2000	Shock Absorbing Guard Rail 2000mm long (requires 2 posts)
SAGR3000	Shock Absorbing Guard Rail 3000mm long (requires 2 posts)
SAGR4000	Shock Absorbing Guard Rail 4000mm long (requires 2 posts)
SAGR5000	Shock Absorbing Guard Rail 5000mm long (requires 3 posts)
SAGR6000	Shock Absorbing Guard Rail 6000mm long (requires 3 posts)

### Specifications:

<b>Description:</b>	Shock Absorbing Guard Rail (SAGR).
<b>Material:</b>	Mild steel and composite core structure.
<b>Finish:</b>	Posts and rails – hot dip galvanised (powder coating optional).
<b>Height:</b>	600mm to top of rail.
<b>Diameter:</b>	Posts and Rails 140mm diameter.
<b>Weight:</b>	Posts 23kgs approx. Rails 23kgs approx. per metre.
<b>Installation:</b>	Core drilled 50mm hole x 200mm deep. Surface mount – 4 x M12 x 102mm structural anchors (supplied).