

'MENNI' RACKING END GUARDS

'Menni' racking end guards are designed to minimise damage to racking and stored product caused as a result of impact by forklifts, vehicles and trolleys.

Moulded interlocking modules, made from super tough Linear Low Density Polyethylene (LLDPE), are virtually indestructible and highly visible.

Available in 2 standard lengths to suit single or double width racking. Alternatively, add any number of additional modules for other applications such as asset protection etc.

(See Section 9 for other 'Menni' applications).

Value Features:

- » Comes complete with fixings.
- » Mounted independently of racking.
- » Super tough LLDPE construction.
- » Accepts standard 50mm diameter FRP sign post (See Section 3.7).
- » Low cost. Fraction of the cost of fabricated steel units.
- » Impact absorbing qualities.
- » U.V. stabilized. Won't fade, chip, rot or rust.



PART No.	DESCRIPTION
MRP1100	'Menni' - Single racking end guard 1100mm long
MRP2200	'Menni' - Double racking end guard 2200mm long



MRP2200



MRP1100

Specifications:

Description: 'Menni' racking end guard.

Material: Injection moulded Linear Low Density Polyethylene (LLDPE).

Finish: Solid colour (Yellow standard).

Dimensions: Single - L1100 x W150 x H100mm.
Double - L2200 x W150 x H100mm.

No. of fixings: 4 or 8 x 12mm masonry anchors (supplied).

SECTION 8.2

BULL-DOG BRACKETS

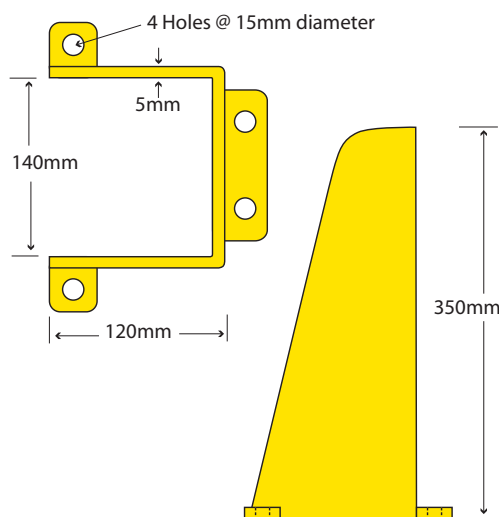
Pallet racking leg guards

Pallet racking legs are often supporting many tonnes of product. Protecting these legs is of vital importance to avoid potential disasters caused as a result of impact by forklifts or trolleys. Bull-dog brackets are manufactured from heavy steel plate and bolt to the warehouse floor independent of the racking, therefore isolating any impact from the structural members of the racking system. When considered against the cost of potential damage, 'Bull-dog' brackets represent a very low cost form of insurance.

Value Features:

- » Manufactured from 5mm thick steel plate.
- » Four bolt fixing for maximum security.
- » Powder coated high visibility safety yellow.
- » Protects your investment and reduces the risk of collapse due to impact.
- » Quick and simple to install without the need for down time.
- » Comes complete with fixings.
- » Mounted independently of racking to avoid impact transference.

PART No.	DESCRIPTION
BDB	Bull-dog bracket



Specifications:

Description: Pallet racking leg guards.

Material: Laser cut from 5mm thick steel plate.

Finish: Safety yellow powder coat.

Height: 350mm.

Weight: 4.6kgs approx.

Installation: 4 x 12mm masonry anchors (supplied).

